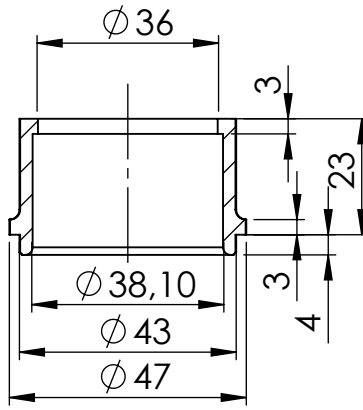
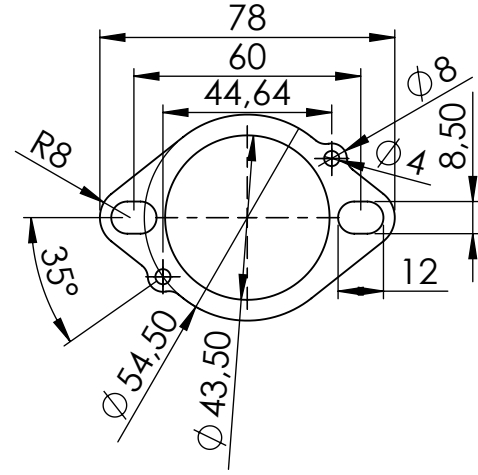


**BUSHER STAINLESS S.
COD.204870**



**FLANGE STAINLESS S.
COD.204448**



LV one evo Stainless s.
Øi 50 RHS
Cod.3014228486

N°2 Aluminium spacer
Ø 27x8,5x11
Cod. 204321

Allen screw M8X35
T.C.Z.B.
Cod.200319

N°3 Aisi 304
stainless steel flange
Cod.204448

N°3 Stainless Steel
Busher 38,1X36X27
Cod.204870

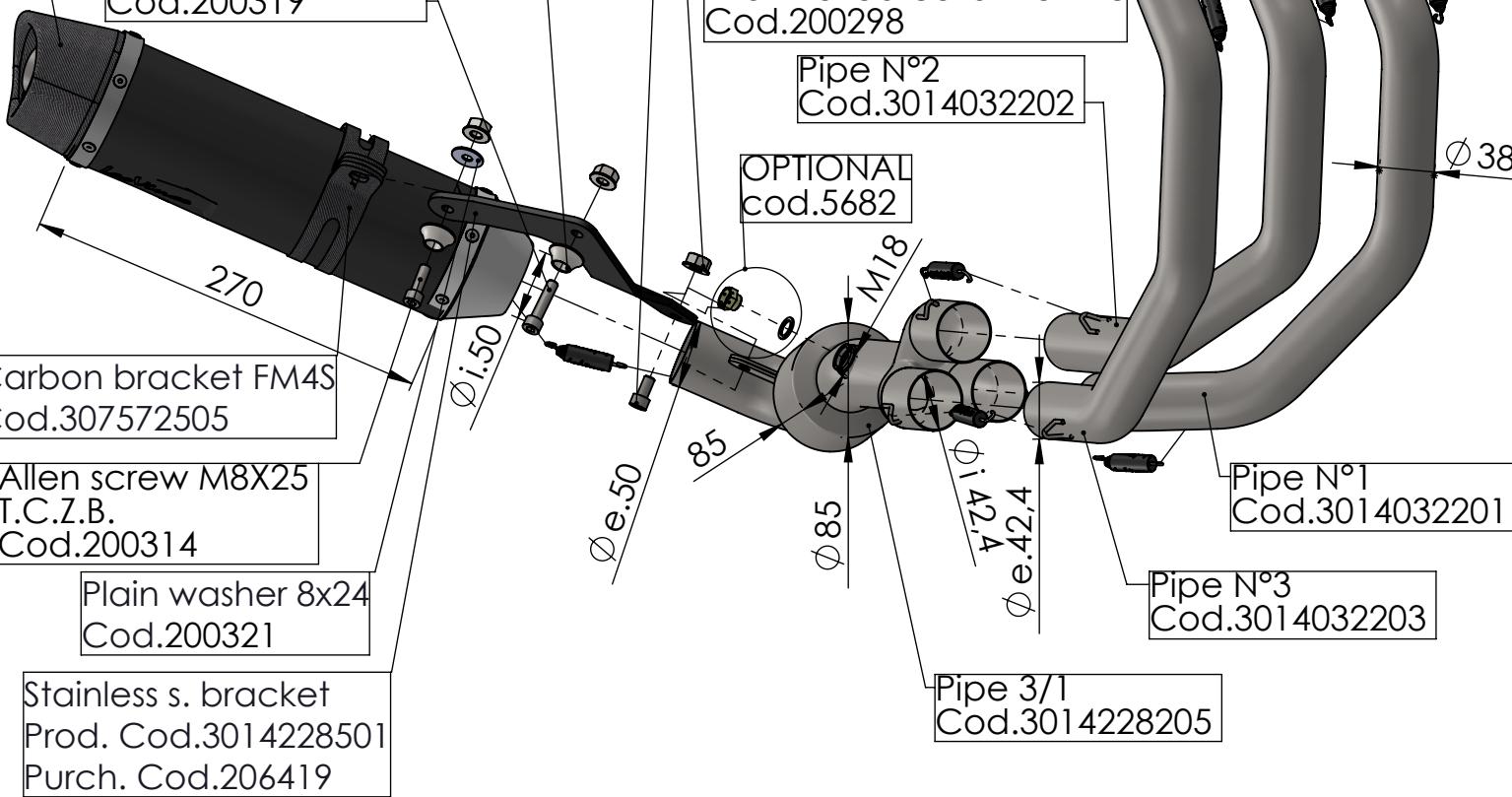
Allen screw M8X16
T.C.Z.B.
Cod.200360

N°3 Knurled collar nut M8
Cod.200298

Pipe N°2
Cod.3014032202

OPTIONAL
cod.5682

N°7 Short helical spring
tensile
Cod.303949001



Pipe N°1
Cod.3014032201

Pipe N°3
Cod.3014032203

Pipe 3/1
Cod.3014228205

ART. 14228EB

YAMAHA MT09/SP - MT09 TRACER/GT - XSR900

FULL SYSTEM 3/1 - LV ONE EVO -BLACK