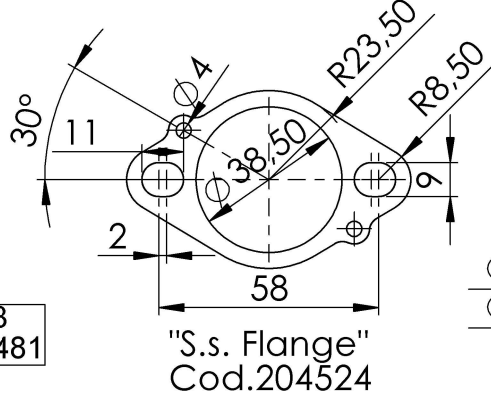
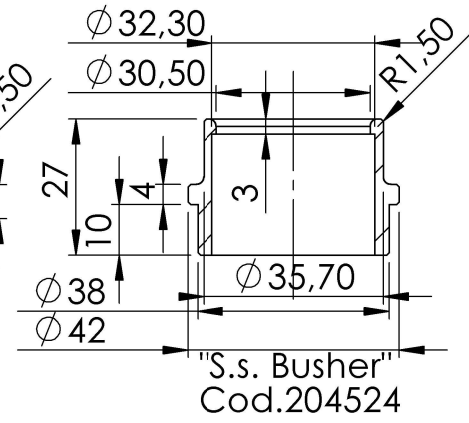


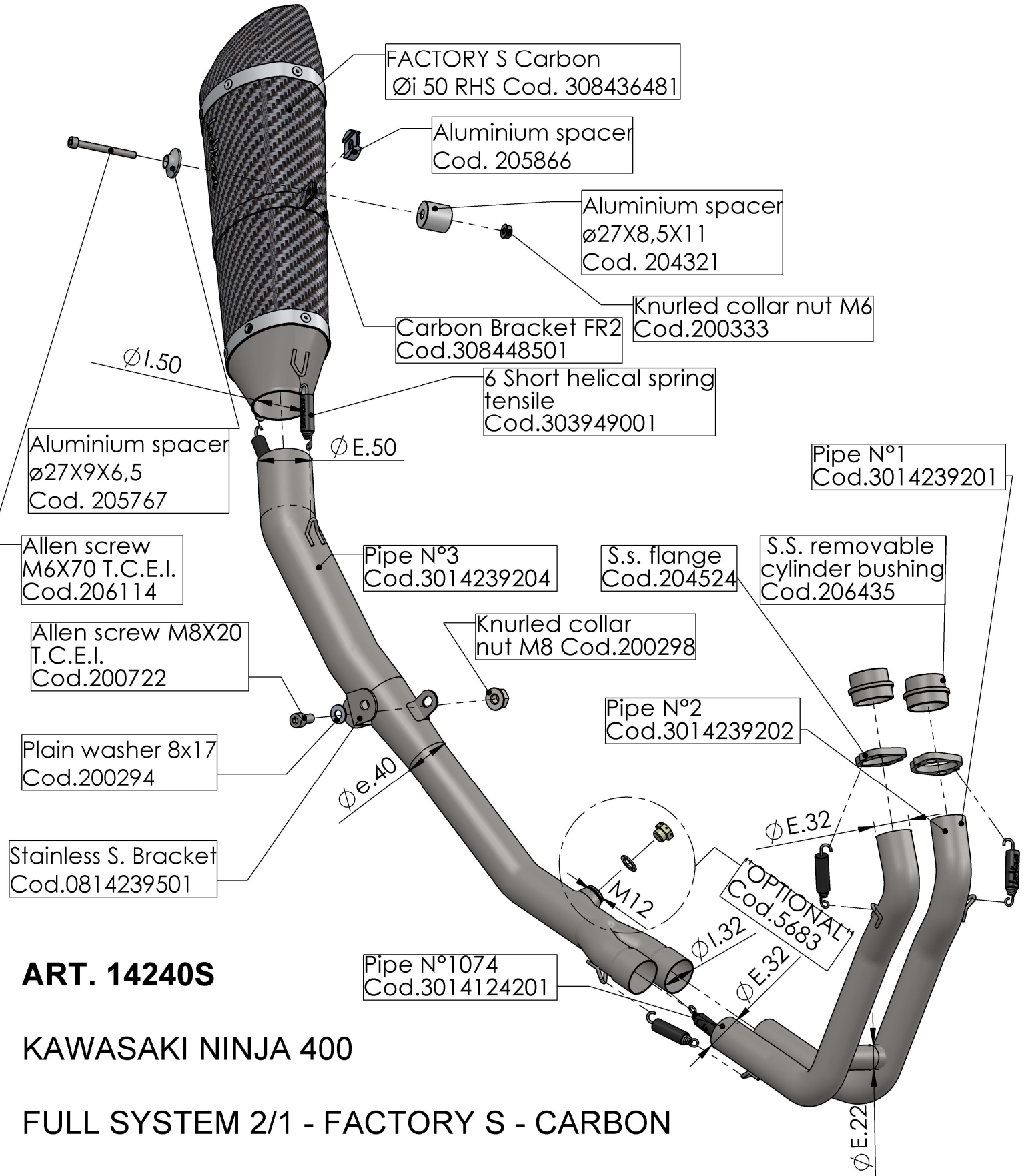
dB-killer n.52B
Cod.3014124481



"S.s. Flange"
Cod.204524



"S.s. Busher"
Cod.204524



FACTORY S Carbon
Øi 50 RHS Cod. 308436481

Aluminium spacer
Cod. 205866

Aluminium spacer
ø27X8,5X11
Cod. 204321

Knurled collar nut M6
Cod.200333

Carbon Bracket FR2
Cod.308448501

6 Short helical spring
tensile
Cod.303949001

Aluminium spacer
ø27X9X6,5
Cod. 205767

Pipe N°1
Cod.3014239201

Allen screw
M6X70 T.C.E.I.
Cod.206114

Pipe N°3
Cod.3014239204

S.s. flange
Cod.204524

S.S. removable
cylinder bushing
Cod.206435

Allen screw M8X20
T.C.E.I.
Cod.200722

Knurled collar
nut M8 Cod.200298

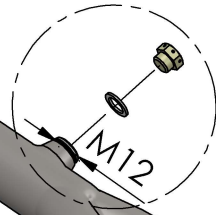
Pipe N°2
Cod.3014239202

Plain washer 8x17
Cod.200294

Ø e.40

Ø E.32

Stainless S. Bracket
Cod.0814239501



OPTIONAL
Cod.5683

Pipe N°1074
Cod.3014124201

Ø 1.32

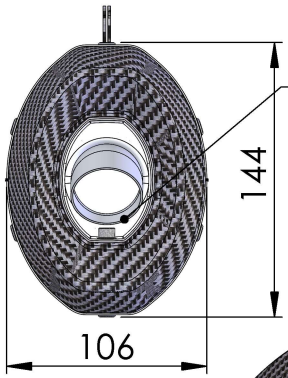
Ø E.32

Ø E.22

ART. 14240S

KAWASAKI NINJA 400

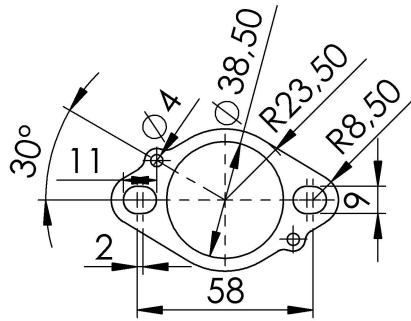
FULL SYSTEM 2/1 - FACTORY S - CARBON



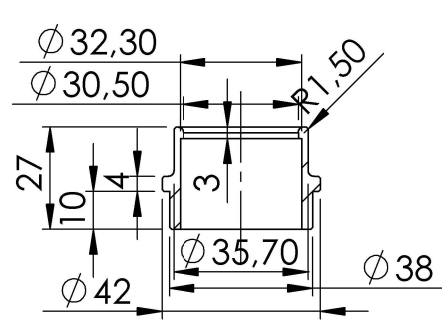
dB-killer n.52B
Cod.3014124481

144

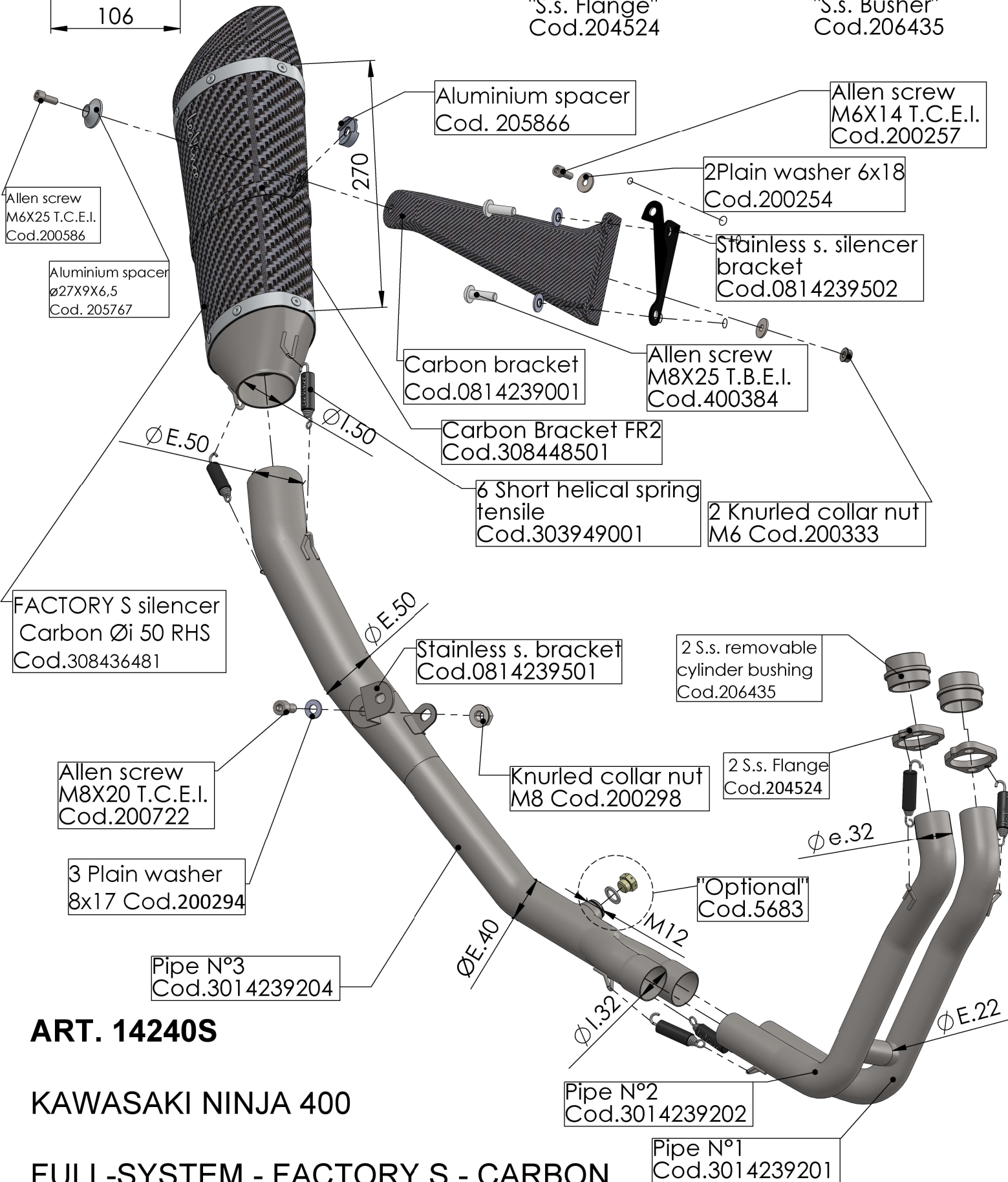
106



"S.s. Flange"
Cod.204524



"S.s. Busher"
Cod.206435



Allen screw
M6X25 T.C.E.I.
Cod.200586

Aluminium spacer
ø27X9X6,5
Cod. 205767

Aluminium spacer
Cod. 205866

Allen screw
M6X14 T.C.E.I.
Cod.200257

2 Plain washer 6x18
Cod.200254

Stainless s. silencer
bracket
Cod.0814239502

Carbon bracket
Cod.0814239001

Allen screw
M8X25 T.B.E.I.
Cod.400384

Carbon Bracket FR2
Cod.308448501

6 Short helical spring
tensile
Cod.303949001

2 Knurled collar nut
M6 Cod.200333

FACTORY S silencer
Carbon Øi 50 RHS
Cod.308436481

Stainless s. bracket
Cod.0814239501

2 S.s. removable
cylinder bushing
Cod.206435

Allen screw
M8X20 T.C.E.I.
Cod.200722

Knurled collar nut
M8 Cod.200298

2 S.s. Flange
Cod.204524

3 Plain washer
8x17 Cod.200294

Pipe N°3
Cod.3014239204

"Optional"
Cod.5683

ART. 14240S

KAWASAKI NINJA 400

FULL-SYSTEM - FACTORY S - CARBON.

Pipe N°2
Cod.3014239202

Pipe N°1
Cod.3014239201